



WATER TREATMENT TECHNOLOGY



***UVC STERILIZERS - FILTERS -
REVERSE OSMOSIS***

25
year

www.eurotechitaly.it



UVC sterilizers allow water purification, thanks to an ultraviolet radiation with a wavelength of 254 nm. Eurotech produces a **wide range of UVC sterilizers** that goes from **0.2 m³/h** to **93 m³/h** water flow. Generating short UV waves by using low-pressure mercury lamp, the disinfection system, driven by different electronic ballasts, eliminates bacteria and purifies water.

UV STERILIZERS

STANDARD FEATURES

304 Stainless Steel Chamber
2-10 bar operating pressure
Mirror polished surface
High quality quartz sleeve
Lamp life: 9000 hours
Power supply 230Vac ±10%, 50/60 Hz
Alarm: Red led for adaptor and panel Free contact relay for display

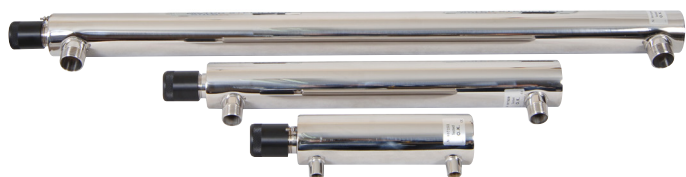
OPTIONAL FEATURES

316 Stainless Steel Chamber
Operating pressure up to 16 bar
Power supply 115Vac ±10%, 50/60 Hz

OPTIONAL FEATURES FOR DISPLAY SERIES

Irradiance and temperature sensor
4-20 mA proportional output
Remote on/off command
Audible beeper

MONO SERIES



Mono lamp ultraviolet units, suitable for small installations with water flow between **0.2 m³/h** and **6 m³/h** at 30.000 uW/cm² or 40.000 uW/cm² UV density. Three different logics are available:

Adaptor



Panel



Display



MULTI SERIES



Multi lamp ultraviolet systems with water flow between **9 m³/h** and **93 m³/h** at 30.000 uW/cm² or 40.000 uW/cm² UV density. Available also for higher flow rates. **Flanged connections as optional.** Two logics are available:

Display



EUROTECH ITALY S.R.L.

Via Lugazzo 8/A fraz. San Matteo della Decima 40017, San Giovanni in Persiceto, Bologna - Italy sales@eurotechitaly.it Tel. +39 051 4681 333 Mob. +39 371 0128 806

Amalgam lamp ultraviolet systems with water flow between **30 m³/h** and **280 m³/h** (also available for higher flow rates) at 35.000 uW/cm² or 40.000 uW/cm² UV density, with flanged connection. It is suitable for drinking water and waste-water treatment. Sample valves and chemical wash are available as optional. Moreover, **automatic scraping system** and **dimnable ballast for flow pacing** are also available as optional. One logics is available: CABINET

Cabinet



AMALGAM SERIES



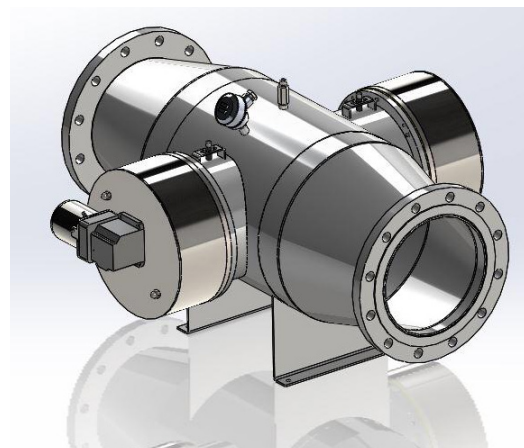
STANDARD FEATURES

AISI 304 or 316 Stainless Steel Chamber
2-7 bar operating pressure
I/O connection flanged
Mirror polished surface
High quality quartz sleeves
High quality UV lamps
Transmission rate 95% for MP Series
Transmission rate 60 - 95% for Amalgam Series
UV Intensity 60.000 μWs/cm ² - for MP Series
UV Intensity 35.000 - 40.000 μWs/cm ² - for Amalgam Series
Power supply 230Vac ±10%, 50/60 Hz
Electronic ballast for driving UV lamps
Advanced control logics
Alarm via free contact relay
4-20mA output for irradiance and temperature
IP54 protection degree

MEDIUM PRESSURE

MP SERIES is for swimming pool application, designed to be used in **public pools and water treatment systems with high flow**. The medium pressure lamps operate over a wide spectrum, which makes **the eradication of chloramines very effective** (<0.6 ppm) in pool water. These systems carry out an efficient disinfection due to the **neutralization of microorganisms** (99.9%), including those resistant to chloramine treatment. It is available for various flow rates that go **from 50 to 1550 m³/Hr**. Medium pressure sterilizers have many advantages over chemical disinfection systems, since virtually UV light does not alter the physical and chemical composition of water. Moreover, it is very effective against any type of organism (algae, bacteria, virus, fungi, yeasts, etc.) further minimizing the risks of handling and dosing hazardous chemicals. UV treatment reduces the levels of combined chlorine in the water, thereby producing significant water and energy savings by reducing the volume and frequency of pool water renewals.

MP SERIES is equipped with a **UV and Temperature sensor**, **electronic ballasts** for driving UV medium pressure lamps, advanced logics with **Total/partial hours counting**, **alarm for faults**, **low irradiance and high temperature** via free contact relay and audible beeper. Moreover, automatic or manual type scraper system may be applied as optional.



AMALGAM & MEDIUM PRESSURE

EUROTECH ITALY S.R.L.

Via Lugazzo 8/A fraz. San Matteo della Decima 40017, San Giovanni in Persiceto, Bologna - Italy sales@eurotechitaly.it Tel. +39 051 4681 333 Mob. +39 371 0128 806

Filtering units are a water purification technology based on the passage of water through a porous medium, which retains impurities. Eurotech Italy produces cartridge and bag filters with a degree of accuracy **between 1 and 200 µm**.

SKM SERIES



STANDARD FEATURES

304 Stainless Steel Chamber
Glass sanding surface
Filtration as desired
¼" manometer connection
½" Water discharge connection
2- 10 bar operating pressure
2- 45 °C operating temperature

Multi-cartridge filters, SKM series, are manual systems suitable for high flow rates. Spun, washable nylon and washable stainless steel cartridges with lengths of 10" – 20" – 30" – 40" with sensitivities of **1-5-10-20 µm** (for spun) and **50 µm** (for stainless steel and nylon) can be placed in the chamber.



OPTIONAL FEATURES

316 Stainless Steel Chamber
Operating pressure up to 16 bar
Manometer with glycerine
Discharge valve
Flanged connection (DN)

TFM SERIES



Bag filters, TFM series, are used to retain sand, suspended solid matter, organic and inorganic solid matters and other solid particles in water. The system consists in a stainless steel cage in which the user can place bags that range **from 1 to 200 µm**, but other bags are available as optional. Bags can be manually washed and reused.



EUROTECH ITALY S.R.L.

Via Lugazzo 8/A fraz. San Matteo della Decima 40017, San Giovanni in Persiceto, Bologna - Italy sales@eurotechitaly.it Tel. +39 051 4681 333 Mob. +39 371 0128 806

Eurotech Italy supplies reverse osmosis units that are designed and manufactured from beginning to end considering required flow rates and other demands of the customers. Every equipment used in the production of the Reverse Osmosis units are selected from the highest quality materials. The use of quality equipment ensures that systems operate with the highest efficiency for extended periods. Eurotech RO systems reduce your operational costs while increasing the production quality. In order to design reverse osmosis devices, water analysis shall be considered in detail. Design and efficiency of reverse osmosis device can vary according to different water qualities. Eurotech produces RO units by considering raw water source, raw water analysis and required permeate water analysis with desired flow.

REVERSE OSMOSIS

ROB SERIES

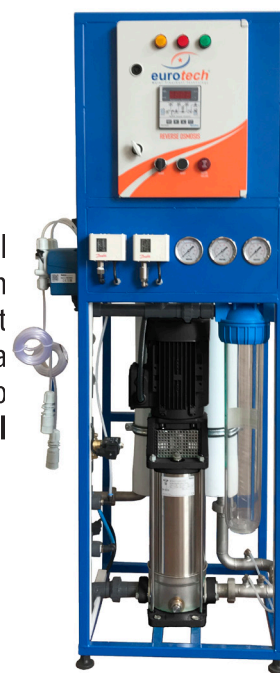


ROB SERIES RO units are made according to **2000 ppm TDS** (total dissolved solid matter) value and a water flow **from 75 l/h up to 220 l/h**. They provide perfect solutions for treatment of **potable water, general utility water and process water**. They can be used conveniently in villas, restaurants and cafés (ice and soda machines) and laboratories.

The system contains PLC which is designed for controlling all of the equipment and does not need manual interventions.

It is a **cost-effective series** and it can provide both economical advantages and ease of handling as it is **automatic**. The system contains PLC which is designed for controlling all of the equipment and does not need manual interventions. The system works with a water flow **from 440 l/h up to 1800 l/h** which makes it possible to obtain great results for the treatment of **potable water, general utility water and process water**.

ROE SERIES



ROS SERIES



Standard design of ROS series reverse osmosis units is made according to 2000 ppm TDS (total dissolved solid matter) value and a water flow **from 440 l/h up to 1800 l/h**. It provides a perfect solution for treatment of potable water, general utility water and process water. It can be used conveniently in apartment blocks, hotels, hospitals and medium scale enterprises.

ROS Series contains PLC which is designed for controlling all of the equipment and does not need manual interventions. ROS Series skid and high pressure piping are used as SS 304.

EUROTECH ITALY S.R.L.

Via Lugazzo 8/A fraz. San Matteo della Decima 40017, San Giovanni in Persiceto, Bologna - Italy sales@eurotechitaly.it Tel. +39 051 4681 333 Mob. +39 371 0128 806

EUROTECH ITALY S.R.L

**Via Lugazzo 8/A fraz. San Matteo della Decima
40017, San Giovanni in Persiceto, Bologna – Italy**

sales@eurotechitaly.it

euro@eurotechitaly.it

Tel. +39 051 4681 333

Mob. +39 371 0128 806

Download our catalogue:

